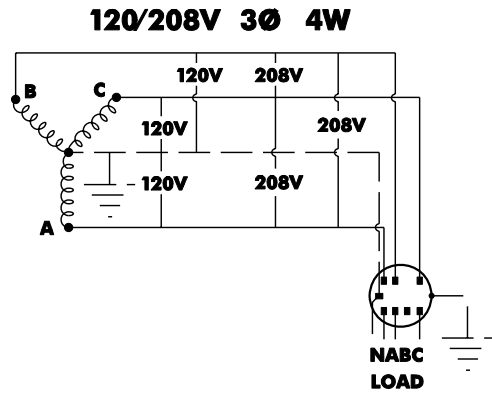


# THREE PHASE, 4 WIRE, WYE SOCKETS

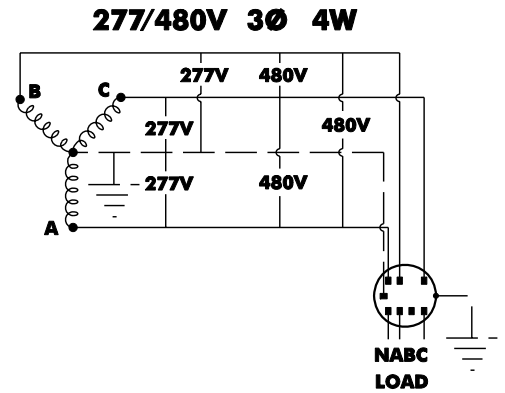
1.07.3

SECTION  
1.07E



REFER TO DWG: 4.02.13

SECTION  
1.07F

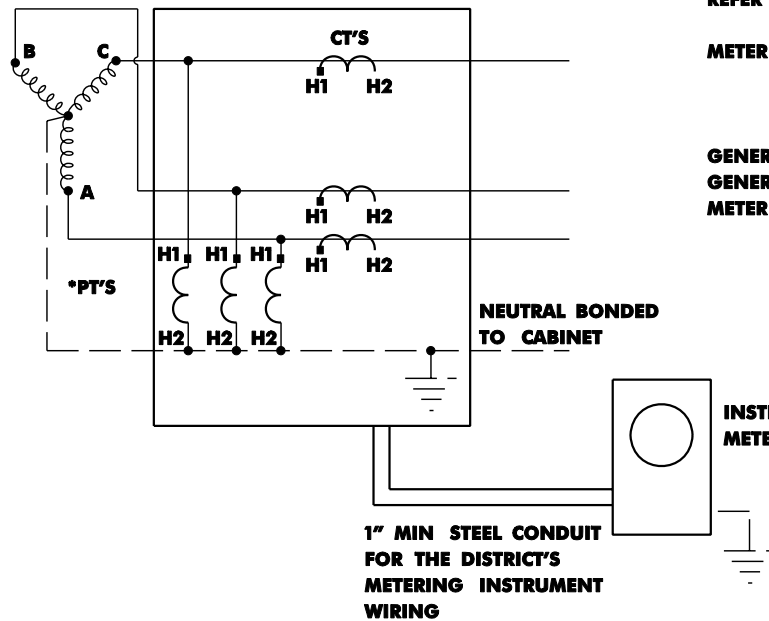


REFER TO DWG: 4.02.13

## THREE PHASE, 4 WIRE, WYE INSTRUMENT TRANSFORMERS (CT'S & PT'S)

SECTION  
1.07E  
SECTION  
1.07F

**120/208V 3Ø 4W**  
**277/480V 3Ø 4W**  
INSTRUMENT CABINET



REFER TO DWGS:

METER DIAGRAMS: 4.06.14  
4.06.15  
4.06.16  
4.06.17

GENERAL SERVICE OVERHEAD: 6.10  
GENERAL SERVICE UNDERGROUND: 8.06  
METER ON PADMOUNT: 8.08.8

NEUTRAL BONDED  
TO CABINET

INSTRUMENT TRANSFORMER  
METER SOCKET

1" MIN STEEL CONDUIT  
FOR THE DISTRICT'S  
METERING INSTRUMENT  
WIRING

\*PT'S WHEN REQUIRED